

# 787

## 787 90° ADAPTOR, GLOBALLY APPROVED, EXPLOSIVE ATMOSPHERE CABLE / CONDUIT ACCESSORY

- Protects cables from excessive bending stress
- General purpose / industrial version available
- Supplied with male or female threads
- Can be supplied with thread conversion
- Equipment interface o-ring seal available
- -60°C to +200°C
- Globally marked, cCSAus, IECEx, ATEX and UKEX
- Can be used with 737 (not Ex d direct entry applications)

Machined and cast M20 to M50

Machined M63 and above



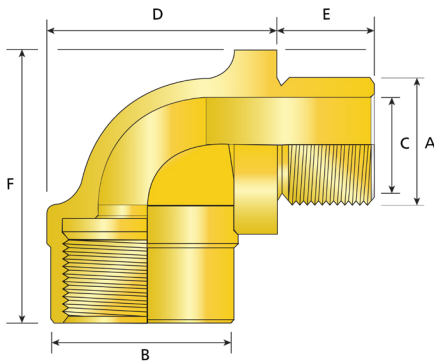
+200°C  
↑  
-60°C

Ex db Ex eb Ex ta

### TECHNICAL CLASSIFICATION

DESIGN SPECIFICATION	BS 6121:Part 1:1989
ENCLOSURE PROTECTION	IK10 to IEC 62262 (20 joules) Brass and Stainless Steel Only
INGRESS PROTECTION RATING**	IP66, IP67 and IP68***
AVAILABLE MATERIALS	Brass, Electroless Nickel Plated Brass, Aluminium, Stainless Steel

\*\* When CMP installation accessories are used. Refer to [www.cmp-products.com](http://www.cmp-products.com) for further information. \*\*\* IP68 tested to a minimum depth of 30 metres for 12 hours, alternative depths / durations can be provided upon request



### GLOBAL PRODUCT CERTIFICATION

ATEX CERTIFICATE	CML18ATEX1319U	IECEx CERTIFICATE	IECEx CML18.0176U, IECEx SIM 17.0009U
UKEX CERTIFICATE	CML 21UKEX1243U	CODE OF PROTECTION	Ex db I Mb, Ex eb I Mb, Ex ta IIC Gb, Ex db IIC Gb, Ex ta IIC Da, Ex eb I Mb
CODE OF PROTECTION	⊕ II 2G 1D Ex db IIC Gb, Ex eb IIC Gb, Ex ta IIC Da ⊕ I M2 Ex db I Mb, Ex eb I Mb	COMPLIANCE STANDARDS	IEC 60079-0,1,7,31
COMPLIANCE STANDARDS	EN 60079-0,1,7,31	COMPLIANCE STANDARDS	IEC 60079-0,1,7,31
cCSAus CERTIFICATE (20S16-100)	1055233	CODE OF PROTECTION	Class I, Groups A, B, C and D; IP66, 67, 68; Enclosure Type 4X; Ex d e II, Class I, Zone 1, AEx d e II;
CODE OF PROTECTION	Class I, Groups A, B, C and D; IP66, 67, 68; Enclosure Type 4X; Ex d e II, Class I, Zone 1, AEx d e II;	COMPLIANCE STANDARDS	C22.2 No. 30, 94, CAN/CSA 60079-0,1,7, UL50, Edition 11, UL 1203, Edition 4, UL 60079-0,1,7, CAN-CSA E61241-1-1:02
EAC CERTIFICATE	RU C-GB.A.07.B.0460022	UKrSEPRO CERTIFICATE	CL1 19.0370U
RETIE APPROVAL NUMBER	EL-CS-220061	INMETRO APPROVAL	TUV 12.1335U
CCC CERTIFICATE	2020322313003177	ECAS CERTIFICATE	24-03-106290/E24-03-110155/NB0007
SANS	IA MS-XPL21804 21.0005U		
MARINE APPROVALS	LRS: LR22320794TA, BV: 43180 A1 BV, ABS: 22-2230864-PDA		

### HOW TO ORDER

e.g. 787 - D - M - 3 - M - 3 - 5

= Dual certified Ex d & Ex e - M25 (M) x M25 (F) - Nickel Plated Brass

Other thread variations are available on request. For further information on ordering please refer to page 163.

### PRODUCT SELECTION TABLE

ORDERING REFERENCE	MALE THREAD SIZE 'A'	MINIMUM THREAD LENGTH 'E'	MINIMUM BORE DIAMETER 'C'	FEMALE THREAD SIZE	PROTRUSION LENGTH 'D'	PROTRUSION LENGTH 'F'	WIDTH 'B'
787DM2M2	M20 X 1.5	15.3	14.0	M20 X 1.5	29.6	41.0	24.0
787DM3M3	M25 X 1.5	15.3	18.6	M25 X 1.5	36.3	49.3	29.0
787DM4M4	M32 X 1.5	15.3	25.6	M32 X 1.5	45.2	56.3	36.0
787DM5N5	M40 X 1.5	15.3	33.6	M40 X 1.5	54.2	64.8	44.0
787DM6M6	M50 X 1.5	15.3	41.0	M50 X 1.5	68.3	74.0	54.0
787DM7M7	M63 X 1.5	15.3	50.0	M63 X 1.5	97.0	104.3	75.3
787DM8M8	M75 X 1.5	15.3	61.0	M75 X 1.5	97.0	111.3	79.5
787DM9M9	M90 X 2.0	15.3	80.0	M90 X 2.0	100.0	131.3	110.0
787DM10M10	M100 X 2.0	15.3	91.0	M100 X 2.0	110.0	141.3	115.0

All dimensions shown are in millimetres unless otherwise stated

Dimensions listed are for metric accessories only. Dimensions for alternative threads may vary.