

CYCLONE STRAP (INTERMEDIATE RESTRAINT)

Cyclone Straps are metallic intermediate restraints consisting of a 316L stainless steel strap complete with standard liners which have been designed, constructed, and tested in accordance with the International Standard 'cable cleats for Electrical Installations' IEC 61914.

The standard liners supplied are classified as Low Smoke & Fume (LSF), Zero Halogen (LSOH) and Phosphorus Free.

Intermediate restraints are cable retaining devices that can be used in conjunction with cable cleats to hold the cables together in order to provide resistance to electromechanical forces.

Cyclone II Intermediate restraints (2STR) are designed to wrap around the cables twice to provide resistance required for moderate short circuit faults, whilst the Cyclone III intermediate restraints (3STR) are designed to wrap around the cables three times to provide the resistance needed during high fault short circuit conditions.

Using intermediate restraints between each cable cleat reduces installation time and cost when compared to alternative cleat only systems for use in trefoil or quad formations. CMP has tested the Cyclone strap range in accordance to IEC 61914 and is certified to offer these for use with any trefoil cable cleats.



FEATURES

- Reduces installation cost
- Reduces installation time
- For trefoil and quad installations
- Third party certification to IEC 61914
- Lightweight 316L stainless steel strap
- Sunlight (UV) resistant
- Standard operating temperature -50°C to +40°C
- Standard Polymer Liners are LUL approved and are classified as Low Smoke & Fume (LSF), Zero Halogen (LSOH) and Phosphorus Free
- High temperature liner version with HT suffix available with operating temperature -50°C to +90°C
- High temperature liners are classified as VO Flame Retardant Polymer

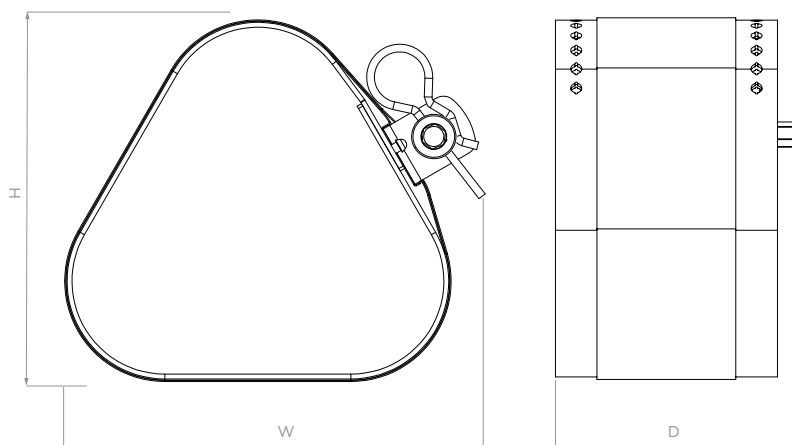


TECHNICAL DATA & CLASSIFICATION

TYPE	6.1.3 Composite Strap
DESIGN SPECIFICATION	IEC 61914
TEMPERATURE FOR PERMANENT APPLICATION	-50°C to +40°C IEC 61914 clause / part 6.2
NEEDLE FLAME TEST	Pass - 120 second flame application time, IEC 61914 clause 10.0, 10.1, IEC 60695-11-5
LATERAL LOAD TEST	Single - 5.5kN - 20kN 2STR and 6.5kN - 22kN 3STR, IEC 61914 clause 9.3 Trefoil - Refer to CMP Products, 2STR and 3STR IEC 61914 clause 9.3
AXIAL LOAD TEST	IEC 61914 clause 9.4, Single - 0.4kN - 0.6kN 2STR and 0.4kN 3STR IEC 61914 clause 9.4, Trefoil - 0.4kN 2STR and 0.4kN 3STR
IMPACT RESISTANCE	Pass - Very Heavy IEC 61914 clause 6.3, 6.3.5, 9.2
MATERIAL	316L Stainless Steel Strap with Standard Polymer Liner Standard Polymer Liners are classified as Low Smoke & Fume (LSF), Zero Halogen (LSOH) and Phosphorus Free. HT liners are classified as V0 Flame Retardant Polymer.
MATERIAL COLOUR	Silver / Grey

SHORT CIRCUIT TESTING TO IEC 61914 - CLAUSE 9.5

Short circuit tested and certified for use with all CMP cable cleats.
Refer to CMP Products for further information



CABLE CLEAT SELECTION TABLE

CYCLONE II STRAP PART NO.	CYCLONE III STRAP PART NO.	CABLE Ø RANGE TAKE (MM)			DIMENSIONS (MM)			II STRAP WEIGHT (g)	III STRAP WEIGHT (g)
		SINGLE	TREFOIL	QUAD	W	H	D		
2STR024034	3STR024034	36-50	24-34	21-29	73	67	80	211	254
2STR030041	3STR030041	45-60	30-41	26-35	87	81	80	230	267
2STR037047	3STR037047	55-69	37-47	32-40	97	93	80	247	301
2STR043054	3STR043054	64-80	43-54	37-46	113	106	80	265	320
2STR050060	3STR050060	75-88	50-60	43-51	125	118	80	280	336
2STR056067	3STR056067	83-99	56-67	49-57	139	131	80	300	377
2STR063073	3STR063073	94-108	63-73	55-62	151	142	80	316	385
2STR069080	3STR069080	103-118	69-80	60-68	165	156	80	334	421
2STR072085	3STR072085	114-150	72-85	66-72	175	165	80	348	429
2STR082095	3STR082095	145-165	82-95	70-81	195	185	80	375	465
2STR092105	3STR092105		92-105	70-81	215	204	80	402	502
2STR102115	3STR102115		102-115	88-98	235	223	80	429	549
2STR112125	3STR112125		112-125	96-107	255	243	80	456	588
2STR122135	3STR122135		122-135	105-116	275	262	80	483	619
2STR132145	3STR132145		132-145	113-124	295	281.5	80	510	657