

KITINOX  
KITINOX

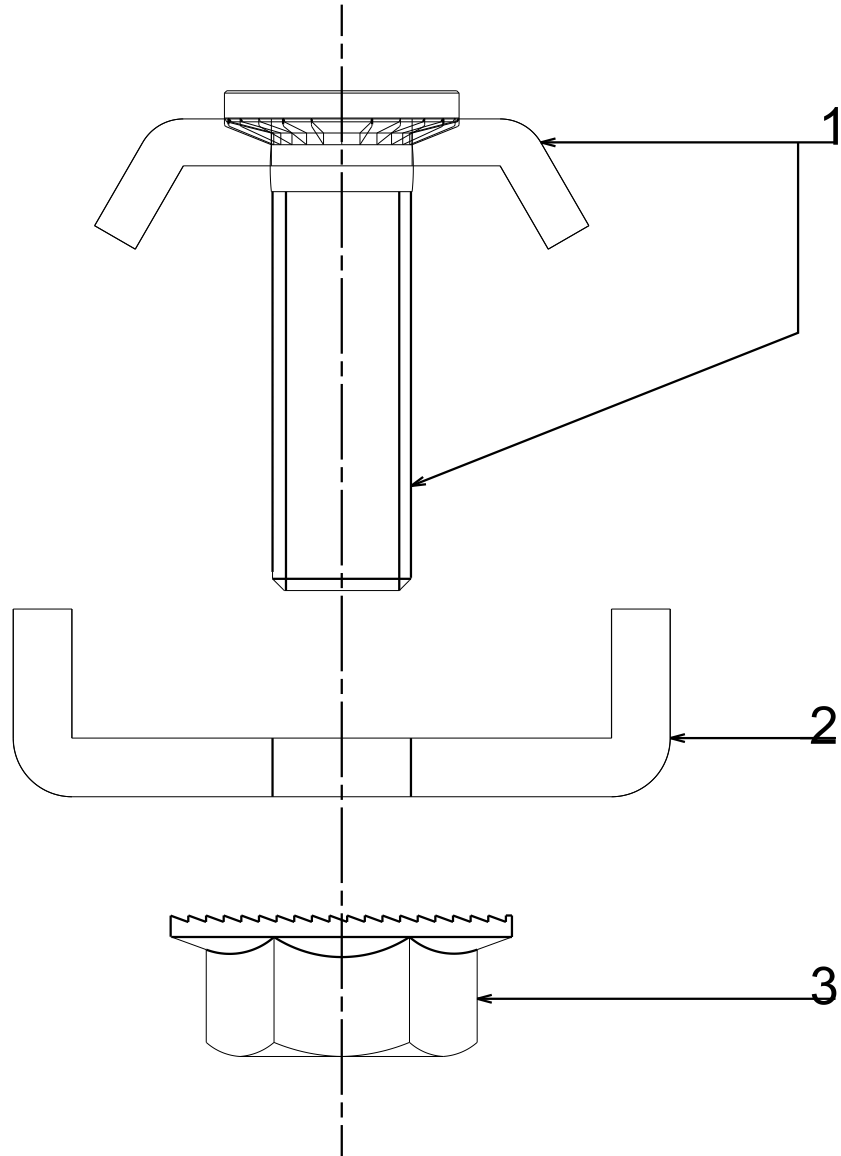
316L

**CABLOFIL®**

INNOVATORS IN CABLE MANAGEMENT

FT0552-4

11 13



ARTICLE	Composant/ Component	CODE	NBR/Qty	DESIGNATION
KITINOX	1	558 014	50	CE 25 VS
	2	558 044	50	CE 30
	3	801 204	50	EEC6

REF	CODE	POIDS (Kg/m)	WEIGHT (lb/ft)
KITINOX	558 954	0.800	0.530

Material	Standard
X2 Cr Ni Mo 17-12-2	EN 10 088-2

Propriété exclusive de CABLOFIL, ne peut être ni copié, ni transmis à des tiers sans autorisation écrite.

Exclusive property of CABLOFIL shouldn't be reproduced or transmitted to any people without written authorization