

SATURN (QSDSS)

Saturn cable cleats are metallic cable cleats which have been designed, constructed, and tested in accordance with the International Standard IEC 61914 'cable cleats for Electrical Installations' to ensure the securing and retention of cables, without sustaining damage to the cable.

The range is fabricated from 316L stainless steel, giving it high creep strength whilst providing excellent corrosion resistance in the harshest of environments. Designed for quad application / formation. The Saturn cleat is ideal for use in data centres, rail and other industries and applications where the neutral and three-phase conductors are secured together.

The cleat has three M10 fixing clearance holes within its base allowing versatility to the installer during installation, and is designed to enable the product to be secured to a variety of mounting surfaces. The pre-formed cleat opens fully, allowing the cables to be easily placed within the cable cleat to aid the installer before closing and securing via the mouth bolt.

Liners come as standard which help to restrain the cables within vertical applications. Where thermal elongation of cables occurs, the liner also provides a layer of protection between the cable sheath and the cable cleat during normal operation. This additional layer protects the cable from chafing on any mounting surface due to differential movements such as those found in marine and offshore applications. The liners assist in the extra protection of cable(s) in the event of short circuit fault conditions. The standard liners supplied are classified as Low Smoke & Fume (LSF), Zero Halogen (LSOH) and Phosphorus Free.



TECHNICAL DATA & CLASSIFICATION

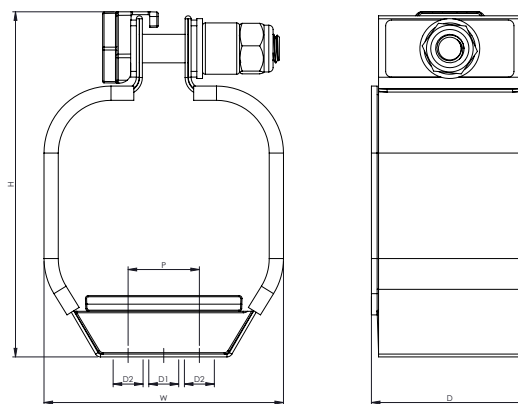
TYPE	6.1.3 Composite QSDSS - Standard Duty Stainless Steel
DESIGN SPECIFICATION	IEC 61914
TEMPERATURE FOR PERMANENT APPLICATION	-60°C to +60°C IEC 61914 clause 6.2
NEEDLE FLAME TEST	Pass - 120 second flame application time IEC 61914: clause 10.0, 10.1, IEC 60695-11-5
LATERAL LOAD TEST	IEC 61914: clause 9.3 (Refer to CMP Products)
AXIAL LOAD TEST	IEC 61914: clause 9.4 (Refer to CMP Products)
IMPACT RESISTANCE	Pass - Very heavy IEC 61914: clause 6.3, 6.3.5, 9.2
MATERIAL	316L stainless steel with standard liners Standard liners are classified as Low Smoke & Fume (LSF), Zero Halogen (LSOH) and Phosphorus Free

SHORT CIRCUIT TESTING TO IEC 61914 - CLAUSE 9.5

One short circuit 300mm fixed cleat centres	Two short circuits 300mm fixed cleat centres	One short circuit 600mm fixed cleat centres	Two short circuits 600mm fixed cleat centres	One short circuit 300mm fixed cleat centres
0.1 sec	0.1 sec	0.1 sec	0.1 sec	1 sec
152kA Peak	138kA Peak	130.4kA Peak	120.4kA Peak	82kA Peak
69.1kA r.m.s	62.7kA r.m.s	59.3kA r.m.s	54.7kA r.m.s	40.2kA r.m.s

FEATURES

- Third party certification to IEC 61914
- 316L stainless steel
- For quad formation / application
- Short circuit rating of 152kA peak fault
- Operating temperature -60°C to +60°C or -76°F to +140°F
- Liners are classified as Low Smoke & Fume (LSF), Zero Halogen (LSOH) and Phosphorus Free
- Combined single (M10) or 2 bolt (M10) fixing design



CABLE CLEAT SELECTION TABLE

QUAD PART NO.	CABLE Ø RANGE	DIMENSIONS (mm)						WEIGHT (g)
		W	H	D	P	FIXING HOLE Ø		
						D1	D2	
QSDSS016020	16-20	63	87	58	N/A	1 x M10	N/A	300
QSDSS019023	19-23	66	93	58	N/A	1 x M10	N/A	309
QSDSS021027	21-27	73	101	58	N/A	1 x M10	N/A	334
QSDSS026031	26-31	77	109	58	N/A	1 x M10	N/A	352
QSDSS030034	30-34	80	115	58	N/A	1 x M10	N/A	364
QSDSS031035	31-35	81	117	55	25	1 x M10	2 x M10	332
QSDSS033037	33-37	84	121	55	25	1 x M10	2 x M10	338
QSDSS036040	36-40	90	127	55	25	1 x M10	2 x M10	349
QSDSS039043	39-43	96	133	55	25	1 x M10	2 x M10	360
QSDSS041045	41-45	100	137	55	25	1 x M10	2 x M10	366
QSDSS044047	44-47	104	140	55	25	1 x M10	2 x M10	374
QSDSS046051	46-51	110	147	55	50	1 x M10	2 x M10	429
QSDSS049053	49-53	116	153	55	50	1 x M10	2 x M10	438
QSDSS052056	52-56	122	159	55	50	1 x M10	2 x M10	447
QSDSS055059	55-59	128	165	55	50	1 x M10	2 x M10	456
QSDSS058062	58-62	134	171	55	50	1 x M10	2 x M10	468
QSDSS061065	61-65	140	177	55	50	1 x M10	2 x M10	478
QSDSS064068	64-68	146	183	55	75	1 x M10	2 x M10	524
QSDSS067071	67-71	152	189	55	75	1 x M10	2 x M10	533

Additional sizes are available upon request.

Coatings are available upon request by adding the following suffixes to the ordering reference - EC for epoxy coating, PC for polyester coating and TC for thermoplastic coating. Example order reference for epoxy coating suffix EC (QSDSS026031EC). Fasteners required to secure the cable cleat to the support structure are not included but can be supplied upon request - see cleat fixing pack page. Isolation/separation pads (to prevent corrosion between two dissimilar metals) are not included but can be supplied upon request - see isolation/separation pad page.