

TREFOIL INTERMEDIATE RESTRAINT (SDSSIR)

The SDSSIR is a metallic intermediate restraint which has been designed, constructed, and tested in accordance with the International Standard IEC 61914: Cable cleats for electrical installations, to assist CMP cable cleats in the securing and retention of cables, without sustaining damage to the cable(s).

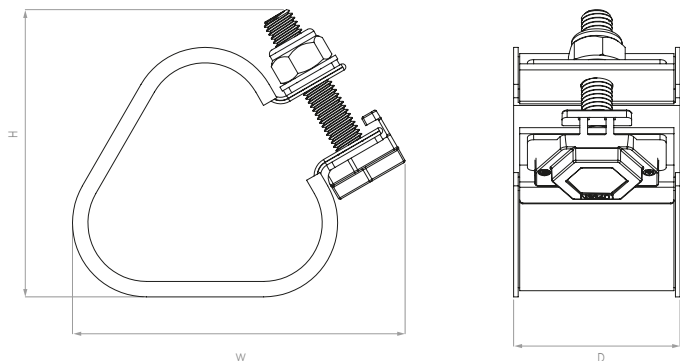
Available for trefoil application/formation, the SDSSIR is fabricated from 316L stainless steel giving it high creep strength, whilst providing excellent corrosion resistance in the harshest of environments.

The product comes standard with polymer liners classified as Low Smoke and Fume Zero Halogen (LSFOH), Phosphorus-free. This helps to restrain the cable(s) and provides a layer of protection between the cable sheath and the cable cleat during normal operation, where thermal elongation of cables occur.

This intermediate restraint product also protects the cable from chafing on any mounting surface due to differential movements (such as those found in marine and offshore applications) and provides further protection to the cable in the event of short circuit fault conditions.

FEATURES

- Third party certification to IEC 61914
- 316L stainless steel
- Operating temperature -60°C to +60°C
- Standard Polymer Liners are classified as Low Smoke and Fume Zero Halogen (LSFOH), Phosphorus-free



TECHNICAL DATA & CLASSIFICATION

| | |
|---------------------------------------|-------------------------------------------------------------------------------|
| TYPE | 6.1.3 Composite SDSSIR - Standard Duty Stainless Steel Intermediate Restraint |
| DESIGN SPECIFICATION | IEC 61914 |
| TEMPERATURE FOR PERMANENT APPLICATION | Standard Polymer Liner -60 to +60°C IEC 61914 clause / part 6.2 |
| NEEDLE FLAME TEST | Pass - 120 second flame application time IEC 61914, IEC 60695-11-5 |
| LATERAL LOAD TEST | Refer to CMP Products |
| AXIAL LOAD TEST | Refer to CMP Products |
| IMPACT RESISTANCE | Pass - Very heavy IEC 61914 |
| MATERIAL | 316L Stainless Steel Low Smoke & Fume (LSF) Polymer Liners |

SELECTION TABLE

| PATRIOT PART NO. | CABLE Ø RANGE TAKE (mm) | DIMENSIONS mm | | | WEIGHT (g) |
|------------------|-------------------------|---------------|-----|----|------------|
| | | W | H | D | |
| SDSSIR019022 | 19-22 | 81 | 78 | 54 | 214 |
| SDSSIR022026 | 22-26 | 89 | 81 | 54 | 227 |
| SDSSIR026030 | 26-30 | 97 | 84 | 54 | 238 |
| SDSSIR030034 | 30-34 | 105 | 87 | 54 | 250 |
| SDSSIR034038 | 34-38 | 112 | 91 | 54 | 263 |
| SDSSIR038042 | 38-42 | 119 | 97 | 54 | 276 |
| SDSSIR042046 | 42-46 | 126 | 101 | 54 | 289 |
| SDSSIR046050 | 46-50 | 131 | 106 | 54 | 302 |
| SDSSIR050054 | 50-54 | 139 | 111 | 54 | 315 |
| SDSSIR054058 | 54-58 | 146 | 118 | 54 | 327 |
| SDSSIR058062 | 58-62 | 153 | 126 | 54 | 341 |
| SDSSIR062066 | 62-66 | 160 | 133 | 54 | 355 |
| SDSSIR066070 | 66-70 | 167 | 141 | 54 | 368 |
| SDSSIR070074 | 70-74 | 174 | 148 | 54 | 381 |
| SDSSIR074078 | 74-78 | 181 | 156 | 54 | 394 |
| SDSSIR078082 | 78-82 | 188 | 163 | 54 | 407 |
| SDSSIR082086 | 82-86 | 195 | 171 | 54 | 421 |
| SDSSIR086090 | 86-90 | 201 | 178 | 54 | 434 |
| SDSSIR090094 | 90-94 | 208 | 186 | 54 | 447 |
| SDSSIR094098 | 94-98 | 215 | 193 | 54 | 460 |
| SDSSIR098102 | 98-102 | 222 | 201 | 54 | 473 |
| SDSSIR102106 | 102-106 | 229 | 208 | 54 | 486 |
| SDSSIR106110 | 106-110 | 236 | 215 | 54 | 499 |
| SDSSIR110114 | 110-114 | 243 | 223 | 54 | 512 |
| SDSSIR114118 | 114-118 | 250 | 230 | 54 | 525 |
| SDSSIR118122 | 118-122 | 256 | 238 | 54 | 539 |
| SDSSIR122126 | 122-126 | 263 | 246 | 54 | 552 |
| SDSSIR126130 | 126-130 | 270 | 253 | 54 | 565 |

Coatings are available upon request by adding the following suffixes to the ordering reference - EC for epoxy coating, PC for polyester coating and TC for thermoplastic coating. Example order reference for epoxy coating suffix EC (SDSSIR066070EC)