

WARRIOR LED Heavy Industrial SPI High Output Linear Luminaire

rayTEC®



Modular Design

Key components such as the LED and PSU modules are easily accessible for straightforward maintenance and inspection.



Power and Performance

High lumen output up to 14 kilolumens and a range of beam patterns to effectively light up large open areas.



Intelligent Emergency

Self-testing emergency battery providing up to 3 hours emergency back-up.



Controllable

DALI 2.0 Dimmable as an option on non emergency variants for precise and flexible control of lighting assets.

5 YEAR WARRANTY

All Raytec luminaires are provided with an industry leading 5 year warranty and have an expected useful life in excess of 10 years. See Warranty Statement for details.



Technical Specifications

Electrical	WL84	WL84 Emergency	WL168
Input	Standard: 110-254Vac 50/60hz Optional: 110-277 50/60hz	110-254V 50/60Hz AC only	Standard: 110-254Vac 50/60hz Optional: 110-277 50/60hz
Power	48W	56W	96W
Termination	Incoming terminal block suitable for looping 4 core 4mm ² cable (6mm ² available - POA)		
Power Factor	>0.95		
Cable Entries	WARRIOR Linear comes with 2 M20 cable entries at each end of the product, 4 total (Other entries available upon request) Dispatched complete with three blanking plugs		
DALI	Non-emergency products are available as DALI 2.0 enabled as an option. In these variants terminals are provided for loop in/loop out 2 core control cable		

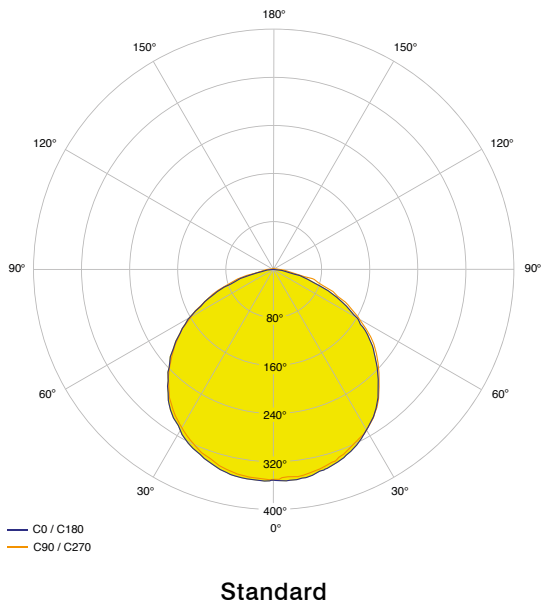
Optical	WL84	WL84 Emergency	WL168
Lumen output on mains	Up to 7048		Up to 14096
LED type	Platinum Elite SMT LEDs		
Number of LEDs	80		160
CRI	80+		
Colour Temperature	6500K standard		

Mechanical	WL84	WL84 Emergency	WL168
Burning Position	Universal		
IP Rating	IP66 & IP67		
IK Rating	IK10		
Temperature Range	-40°C to +60°C (-40°F to + 140°F)	-20°C to +50°C (-4°F to + 122°F)	-40°C to +60°C (-40°F to + 140°F)
Weight	6kg (13.2lbs)	7kg (15.4lbs)	10kg (22lbs)

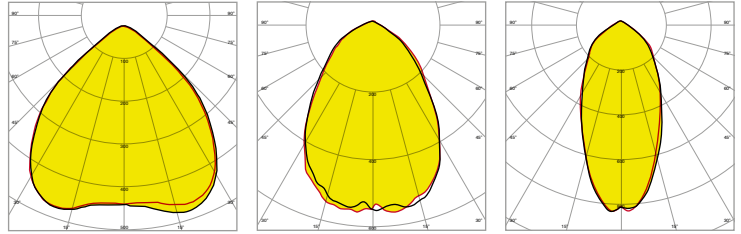
Mechanical	WL84	WL84 Emergency	WL168
Enclosure	Marine grade aluminium epoxy powder coated, UV stabilised polycarbonate, all external fasteners and brackets are marine grade stainless steel		
Unit Colour	Silver (RAL 9006) Emergency Cover - Red (RAL 3024)		
Installation instructions	Please see document number -0920-D00052 at reytecd.com		
Dimensions	See dimensional sketches		
Mounting	Via M8/M6 tapped holes. Various mounting arrangements available (please see product overview guide)		

Intelligent Emergency	WL84 Emergency
Function	Self-testing intelligent emergency
System health indicator	Tri-colour LED indicator
Emergency Duration	Up to 3hrs @ 25% power Other options available
Emergency Battery	Ni/Cd 12V
Emergency Charge Time	20 hours

Light Distribution



Symmetrical Optics

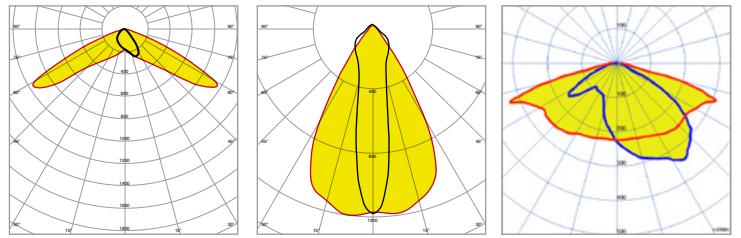


90x90

60x60

30x30

Asymmetrical Optics



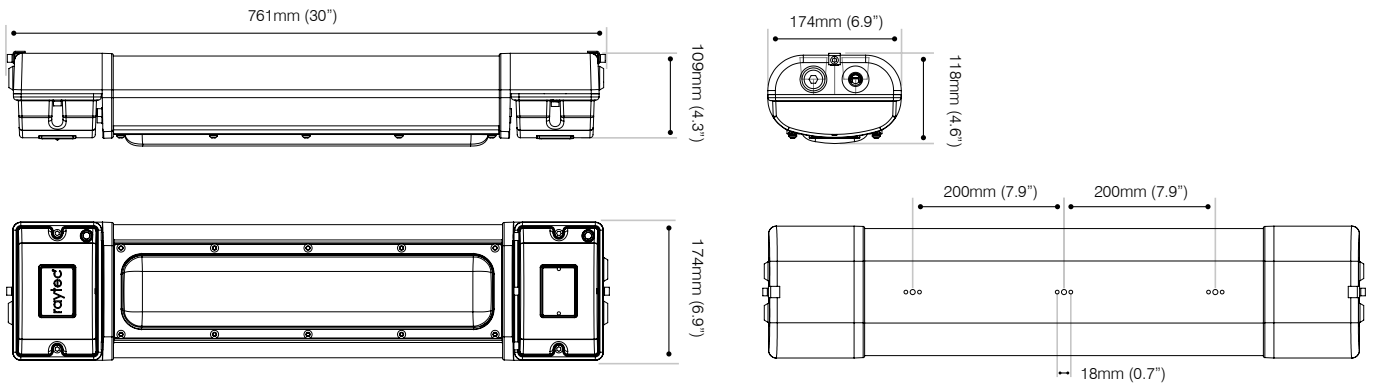
Wide Beam

Aisle -
80x30

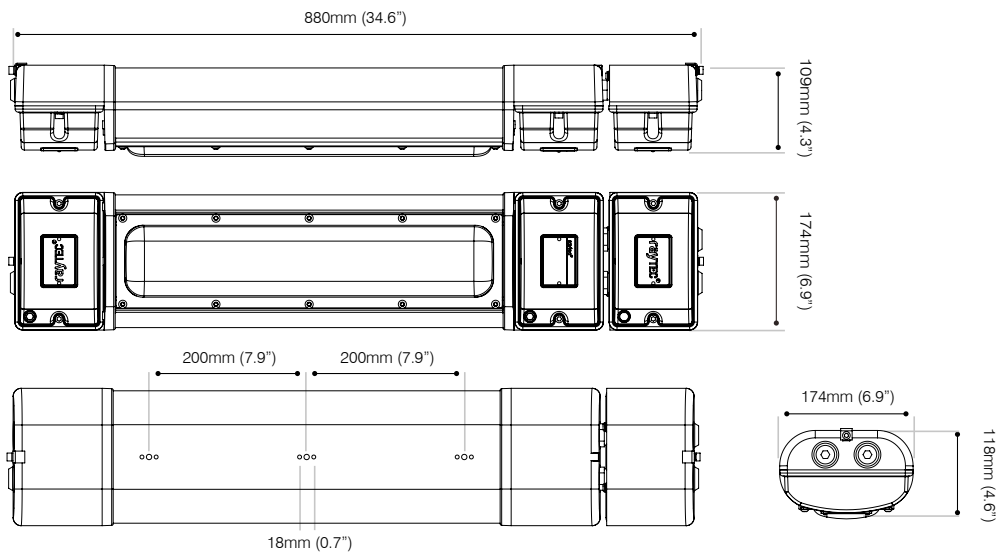
PP3
Optic

Product Dimensions

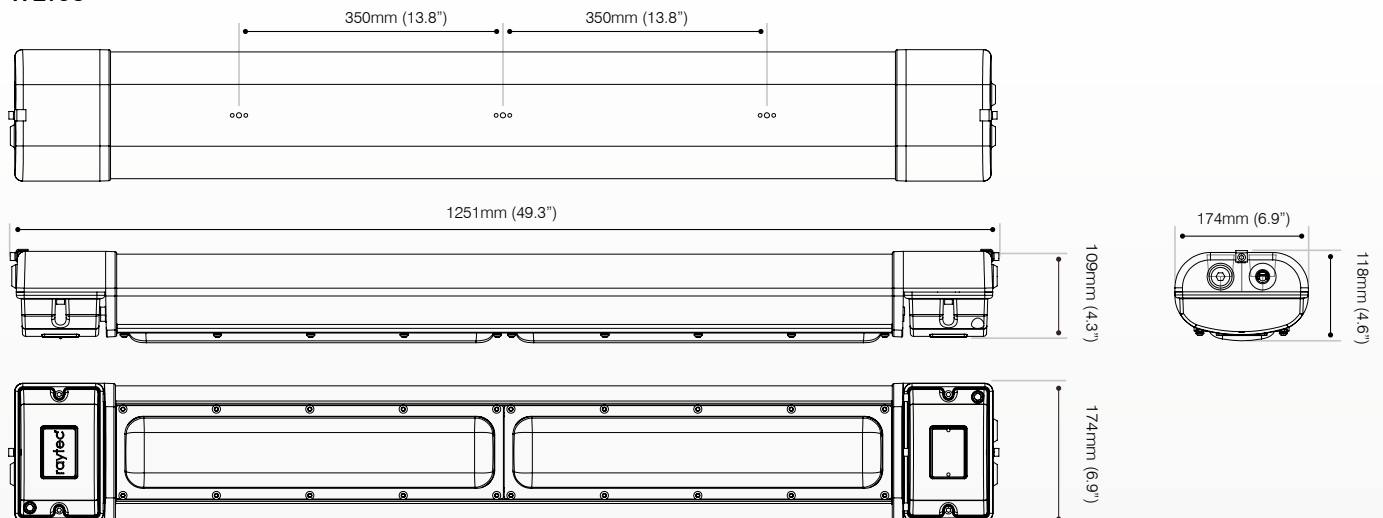
WL84



WL84-EMX



WL168



Part Code Builder

WARRIOR High Output Linear Family

Example - SPI-WL84-HO

Family	Model	Emergency/DALI	CCT	Optics	Power	Entry
SPI	WL84-HO	Not Stated - Non EM	Not Stated - 6500K	Not Stated - Standard	Not Stated - 110-254Vac	Not Stated - M20
	WL168-HO	EMX25 - (25% for 3 hours) (WL84 only)	4K - 4000K	Other optics available - please contact Raytec	277 - 110-277 50/60hz	M25
		DA - DALI				

*T6 variant is AC Only. T6 variants are not compatible with DALI.

WARRIOR Linear Specials



Wildlife-Friendly Variants

- Amber LED technology designed to protect wildlife in coastal locations or natures reserves.
- Dominant wavelength: 600nm

Example ordering code: SPI-WL168-HO-4K-A

Other options available, contact Raytec for full ordering information



See WARRIOR Linear Mounting & Accessories Guide for full range of accessories

Disclaimer

The information provided in this document was accurate at the time of its creation. However, due to the evolving nature of our products and continuous improvements, there may be changes or updates that occur after its publication. For the most current and detailed information about our products, please contact our sales team at sales@rayteclcd.com.